



#### Features:

- Built-in high performance SigmaStar Image chipsets,
- Coded with H.265/H.264 standard, high compression rate and image quality
- 4 CH 1080P live preview and storage
- 1CH synchronized AV output, 1CH VGA output
- Support UPS power input
- Support image horizontal and vertical mirror adjustment or 90 degree rotation
- Support reversing image ranging assistance
- Unique GPS drift suppression algorithm

#### Power supply:

- Professional vehicle power supply 9-36V DC wide voltage
- Low voltage, short circuit, reverse connection and other protection
- Support intelligent power management identification, low power automatic shutdown, flameout low power consumption

#### Data Storage:

- Special file management system to encrypt and protect the data
- Proprietary technology to detect the bad track of the SD card which can make sure the continuity of video and long service life of the SD card
- Built-in supercapacitor, avoid data loss and sd card damage caused by sudden outage
- Support SD card storage, maximum 512G

#### GPS/BD:

- Support GPS/BD optional,
- High sensitivity, fast positioning

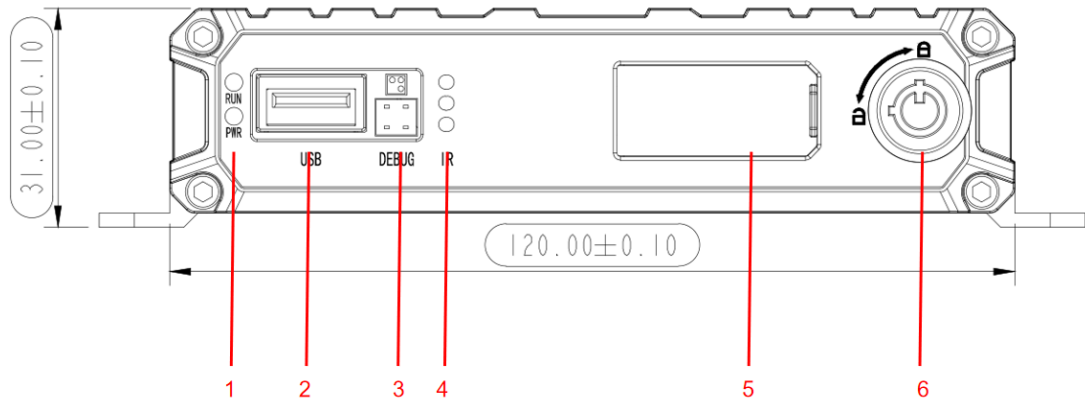
**Technical parameter:**

Item	Device parameter	Performance
System	Operating system	Embedded Linux OS
	Operating language	Chinese/English/Russian
	Operating interface	GUI, Support mouse
	Password security	User password/Admin password
Audio & Video	Video standard	PAL/NTSC
	Video compression	H.265/H.264
	Image resolution	1080P/720P/960H/D1/CIF
	Playback quality	1080P/720P/960H/D1/CIF
	Combination mode	4ch flexible configuration
	Decoding ability	4ch 1080P
	Recording quality	Class 1-6 optional
	Image display	Single/QUAD display optional
	Audio Compression	G.711A、G.711U、G.726
	Audio recording	Audio & Video synchronized recording
Recording & Playback	Recording mode	Automatic/Alarm
	Audio bit rate	8KB/s
	Storage media	SD card storage
	Video inquiry	Inquiry by channel/Recording type
	Local playback	Support Max Local 4 CH
Firmware upgrading	Upgrading mode	Manual/Automatic
	Upgrading method	USB disk, SD card
Interface	AV input	4ch M12 aviation interface
	AV output	1ch VGA video output, 1ch M12 aviation AV output
	Alarm input	4 digital inputs (4 Positive/Negative trigger)
	SD card	1 SD card slot
	USB interface	1 USB 2.0 (support U disk/mouse)
	Ignition input	1 ACC signal
	LED Indication	RUN/PWR
	SD card lock	1
	Debug port	1
Function Extension	GPS/BD	Support detecting antenna Plug in/Unplug/Short circuit
Others	Power input	9~36V DC
	Typical power consumption	3.5W (excluding peripherals)
	Working temperature	-20 --- 70℃

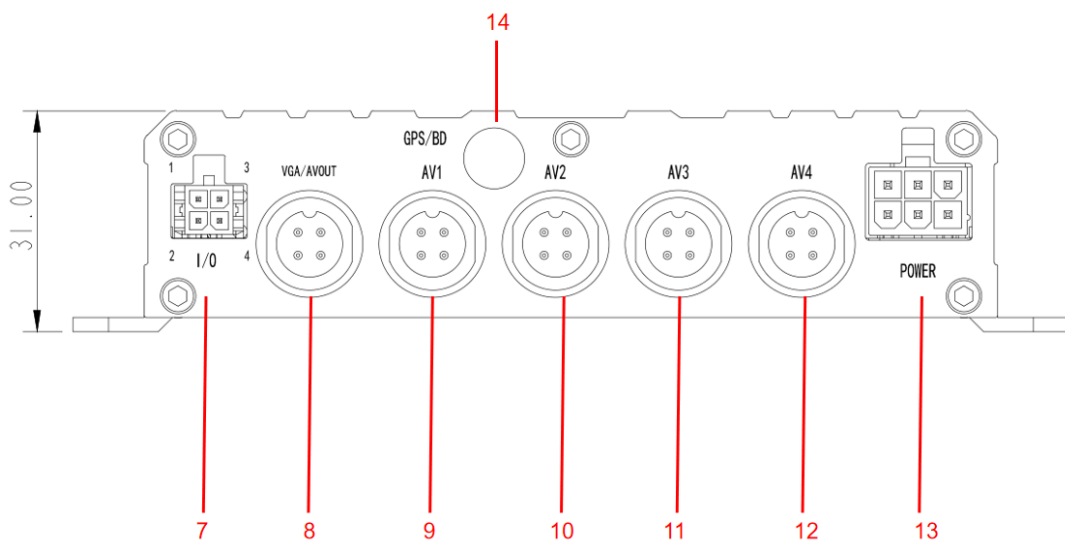


## 4. External interface

Front Panel:



Back Panel:



Number	Instructions	Number	Instructions
1	LED	8	CVBS+VGA Output
2	USB Port (Mouse/Maintenance Tool/USB flash disk)	9	AV1
3	Debug	10	AV2
4	IR	11	AV3
5	SD Card Slot	12	AV4
6	SD Card Lock	13	Power

7	I/O Interface	14	GPS/BD Antenna
---	---------------	----	----------------

### 5. Outline drawing

